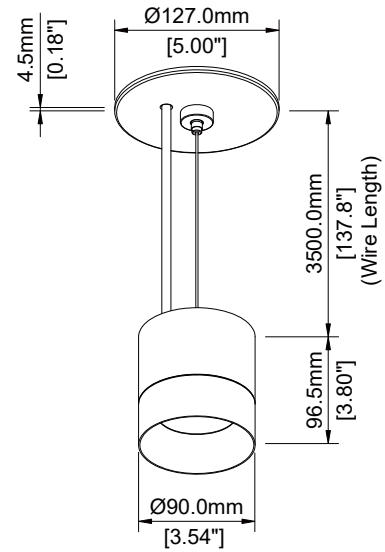


Specification sheet

REV.2

VAL 100 CP SSR10 Pendant Cylinder, spot, length 100mm



Description

VAL100 is a MACRON solution for high-performance cylinder applications. The 100 mm version can drive up to 10 W and deliver unmatched 94 lm/W efficacy from a 3.5" (90 mm) aperture. Twist-lock installation mechanisms, best-in-class lighting quality, and sleek aesthetics and finishes are just some details that distinguishes MACRON philosophy from others. VAL family is designed to integrate and complement your architectural aspiration.

Features

LED	Lumiled Luxeon COB1205
Color temperature	2700K/ 3000K/ 3500K/ 4000K
Optics	Spot 20° / Medium 25° / Wide 34° / Flood 55°
Driver	Remote driver

Performance

Delivered output	Up to 1780 lm(90+ CRI)
Power consumption	18 W
Color rendering	90+ CRI
CBCP	Spot 6605cd / Medium 4501 cd / Wide 3540 cd / Flood 1772 cd
Lumen maintenance	L80, B10 50,000 hrs

Ordering Code Information

PRODUCT	MOUNTING TYPE	SHAPE	LENGTH	COLOR TEMPERATURE	FINISH	BEAM ANGLE	COLOR RENDERING
VAL100 CP	SS	R	10	27	WHBK	S	9
VAL 100 CP Cylinder Surface Mount	Surface spot	R (Round)	10 (100 mm)	27 (2700K) 30 (3000K) 35 (3500K) 40 (4000K)	WHBK (White/Black) BKBK (Black/Black) BKGD (Black/Gold)	S (Spot / 20 deg.) M (Medium / 25 deg.) W (Wide /34 deg.) F (Flood / 55 deg.)	9 (90 CRI+)

Electrical and Control

Input voltage	36vdc
Control	Remote driver
Driver Current	350 mA MAX

Construction

Material	Casting & Extrusion grade Aluminum Alloy
Finishes	Black body with gold trim/ Black body with black trim/ White body with black trim
Optics	Field Interchangeable optics

Rating/ Certification/ Warranty

- Dry and damp Locations
- RoHS compliant
- 5 years/ 50,000 hrs warranty

Recommend LED Driver:

Driver No.	Input Voltage	Dimming	Note
DE-1-250-10	120V	TRIAC/ELV	
DA-1-250-10	120-277V	0-10 V	

Photometrics

18W | 90CRI | 3000K | White body with Black trim

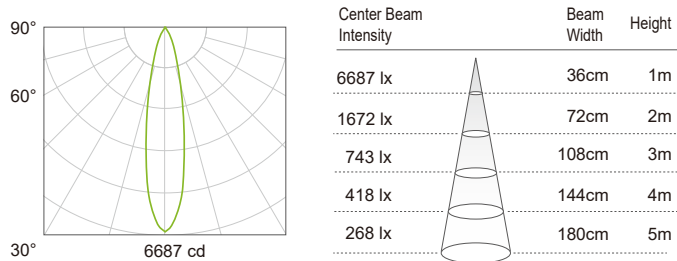
MULTIPLYING FACTORS: (Multiplying Factor is based on 3000K-90+CRI IES file on website)

CCT	2700K-80+	3000K-80+	3500K-80+	4000K-80+
Factors	1.11	1.16	1.18	1.21

CCT	2700K-90+	3000K-90+	3500K-90+	4000K-90+
Factors	0.96	1.0	1.04	1.08

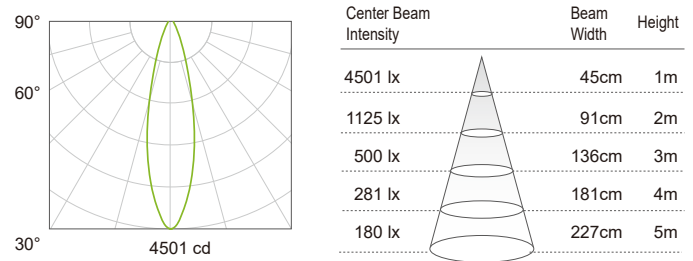
Spot 20°

Delivered Output : 1527 lm | CBCP : 6605 cd | Beam Angle : 20°



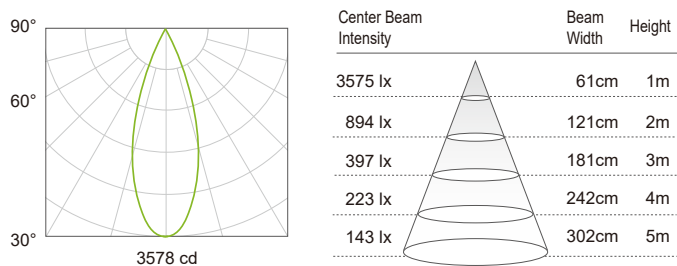
Medium 25°

Delivered Output : 1517 lm | CBCP : 4501 cd | Beam Angle : 25°



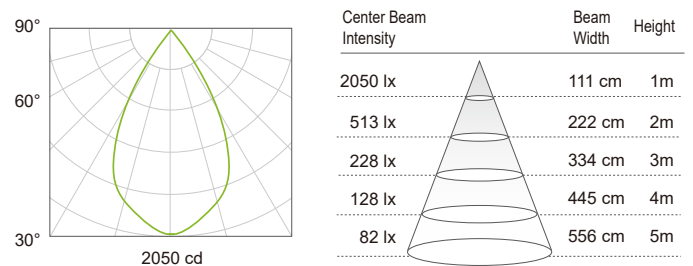
Wide34°

Delivered Output : 1565 lm | CBCP : 3540cd | Beam Angle : 34°



Flood 55°

Delivered Output : 1772 lm | CBCP : 2048 cd | Beam Angle : 55°



Optional Accessory

Product	ACC.
VAL 100 CP	HCL
VAL 100	HCL Honey Comb Louver

